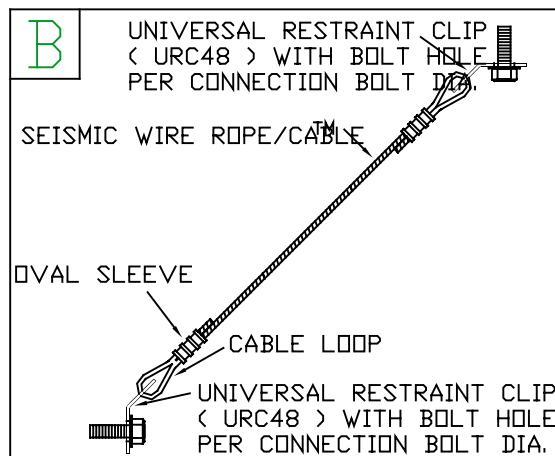
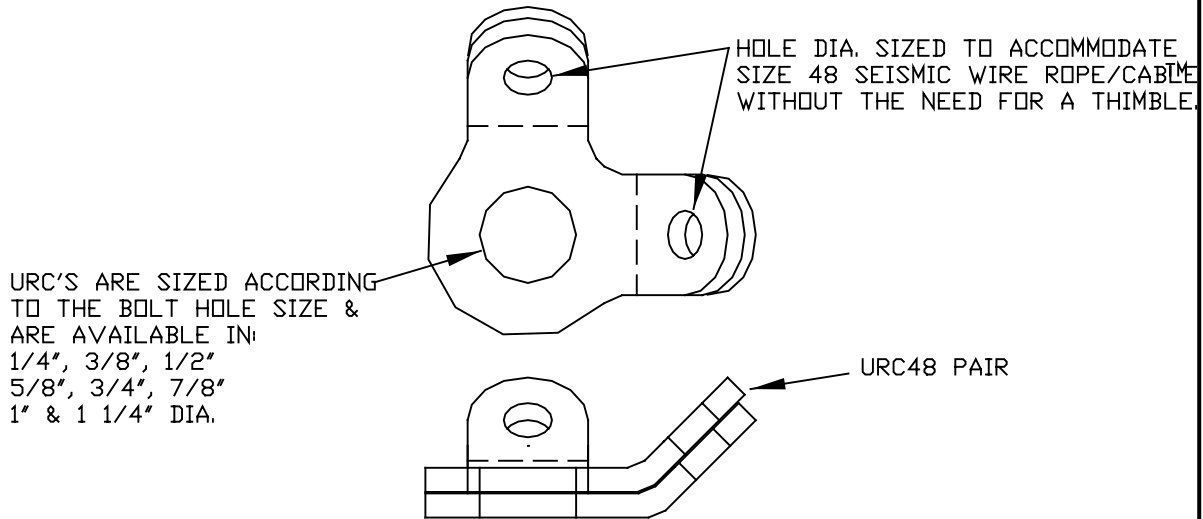


UNIVERSAL RESTRAINT CLIP (URC)

PATENT NUMBER 6,026,545

THE URC48 IS AVAILABLE IN AN ASSORTMENT OF BOLT HOLE SIZES. ITS DOUBLE URC DESIGN ACCOMMODATES SIZE 48 SEISMIC WIRE ROPE/CABLE™. THE URC48 MAINTAINS THE BREAK STRENGTH OF THE CABLE AND DOES NOT REQUIRE A THIMBLE. THE URC48 IS USED TO MAKE BOTH STRUCTURAL ANCHORAGE AND EQUIPMENT CONNECTIONS. THE URC48 IS USED AT BOTH ENDS OF CABLES TO MAKE FIELD CUT CABLE ASSEMBLIES. TWO URC48'S MAY BE STACKED TO MAKE A 4-WAY BRACE CONNECTION. USE A URC48 AT EACH END OF A CLEVIS HANGER CROSS BOLT TO MAKE 2-WAY OR 4-WAY CONNECTIONS. USE URC'S AT EACH END OF TRAPEZE SUPPORTS TO MAKE 2-WAY & 4-WAY CONNECTIONS. SINCE THE URC48 CONSISTS OF 2 URC'S WITH HOLES IN THE TWO EARS TO ACCOMMODATE SIZE 48 CABLE, THESE PAIRS OF URCS ARE SHIPPED TIED TOGETHER.



TYPICAL URC48 CABLE ASSEMBLIES

Since Stake Eyes are not made for 1/4" dia. cable, Size 48 Seismic Wire Rope/Cable™ Assemblies can only be made in the Type "B" configuration as shown above. The Type "B" configuration uses a field installed URC48 at both ends of the cable, which is field cut from spools of Size 48 (Yellow) Seismic Wire Rope/Cable™. This method of making the cable assembly will maintain the break strength of the cable.