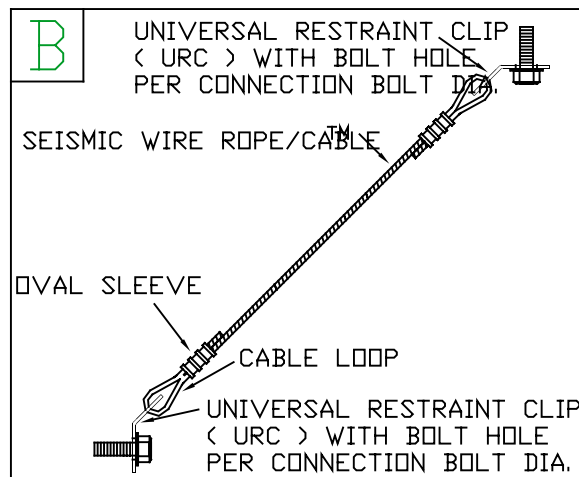
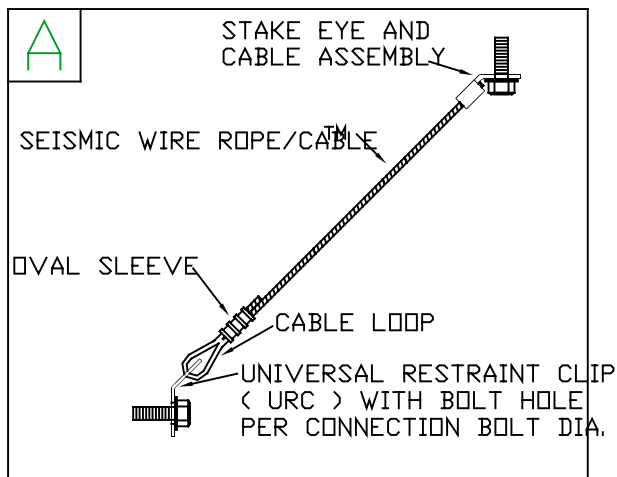
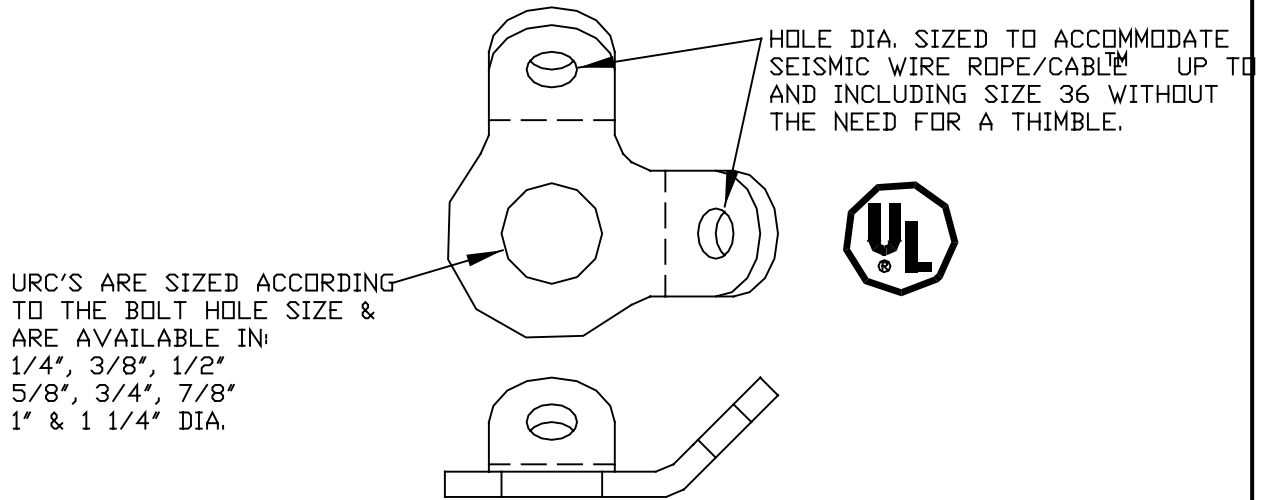


UNIVERSAL RESTRAINT CLIP (URC)

PATENT NUMBER 6,026,545

URC'S ARE AVAILABLE IN AN ASSORTMENT OF BOLT HOLE SIZES. EACH URC SIZE ACCOMMODATES SIZE 12, 18 OR 36 SEISMIC WIRE ROPE/CABLE™. URC'S MAINTAIN THE BREAK STRENGTH OF THE CABLE AND DO NOT REQUIRE A THIMBLE. URC'S MAY BE USED TO MAKE STRUCTURAL ANCHORAGE AND/OR EQUIPMENT CONNECTIONS. URC'S MAY BE USED FOR EQUIPMENT CONNECTIONS WITH STAKE EYE & CABLE ASSEMBLIES. URC'S MAY BE USED AT BOTH ENDS OF CABLES TO FACILITATE FIELD CUT CABLE ASSEMBLIES. TWO URC'S MAY BE STACKED ON A HANGER ROD TO MAKE A 4-WAY BRACE CONNECTION. USE A URC AT EACH END OF A CLEVIS HANGER CROSS BOLT TO MAKE 2-WAY OR 4-WAY CONNECTIONS. USE URC'S AT EACH END OF TRAPEZE SUPPORTS TO MAKE 2-WAY & 4-WAY CONNECTIONS. STAKE EYE W/ CABLE AND URC W/ CABLE ASSEMBLIES ARE EQUAL IN STRENGTH & PERFORMANCE. THE MYRIAD OF USES FOR THIS DEVICE MAKE THE NAME "UNIVERSAL RESTRAINT CLIP" OBVIOUS.



TYPICAL URC CABLE ASSEMBLIES

These are two of the methods for making Seismic Wire Rope/Cable™ Assemblies. Type "A" uses a pre-cut cable with a factory installed Stake Eye at one end and a field installed URC at the other. Pre-cut Stake Eye & Cable Assemblies are available in 3 ft. increments and are ideal when brace lengths can be reasonably predicted to be within this 3 ft. tolerance. Type "B" uses a field installed URC at both ends of the cable, which is usually field cut from spools of Seismic Wire Rope/Cable™. This method can be used when field fabrication of the cable assembly is preferred by the user. Both methods are comparable in cost. Type "A" requires slightly less field labor. Type "B" has a slightly lower material cost. Both methods maintain the break strength of the cable. Therefore, they are equal in strength and performance.

© LOOS & CO., INC. 2001



CABLEWARE® DIVISION
 901 IND. BLVD., NAPLES, FL 34104
 TELEPHONE : 1-800-321-5667
 FAX : (941) 643-4558