

CABLEWARE® TECHNOLOGY DIVISION
 901 IND. BLVD., NAPLES, FL 34104
 TELEPHONE : 1-800-321-5667
 FAX : (941) 643-4558

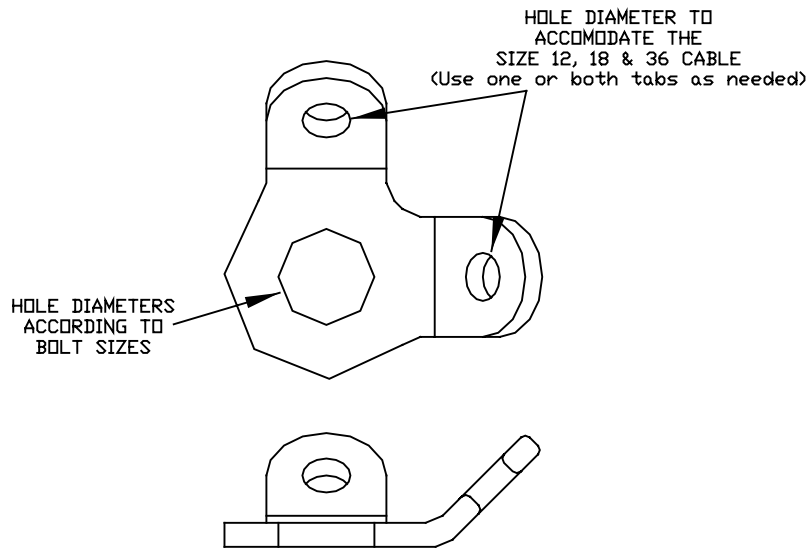
<http://www.earthquakebrace.com>

CITY OF LOS ANGELES TESTED AND APPROVED FOR ALL
 MECHANICAL, PLUMBING & ELECTRICAL PIPING, CONDUIT,
 EQUIPMENT AND SYSTEMS-INCLUDING FIRE SPRINKLER.



LISTED

Break Strength Certified-Color Coded-Prestretched
SEISMIC WIRE ROPE/CABLE™ BRACING



SEISMIC WIRE ROPE/CABLE™
 UNIVERSAL RESTRAINT CLIP
 FOR
 CLEVIS HANGER
 TRAPEZE SUPPORTS
 & OTHER ATTACHMENTS

NOTE : REFER TO SPECIFICATIONS, LOOS & CO., INC. MANUAL AND TABLES FOR BRACE SPACING, REQUIRED BRACE LOACTIONS, LOAD CALCULATION PROCEDURES, SIZING, AND ALLOWABLE LOADS ON BRACE ASSEMBLIES AND FASTENERS.

**URC CABLE CONNECTION
 TO STRUCTURE and/or BRACED COMPONENTS**