

CABLEWARE® TECHNOLOGY DIVISION
 901 IND. BLVD., NAPLES, FL 34104
 TELEPHONE : 1-800-321-5667
 FAX : (941) 643-4558

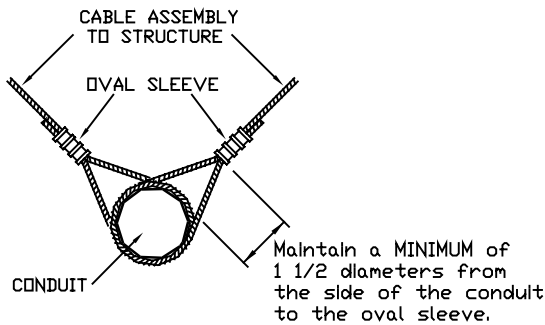
www.earthquakebrace.com

CITY OF LOS ANGELES TESTED AND APPROVED FOR ALL
 MECHANICAL, PLUMBING & ELECTRICAL PIPING, CONDUIT,
 EQUIPMENT AND SYSTEMS-INCLUDING FIRE SPRINKLER.

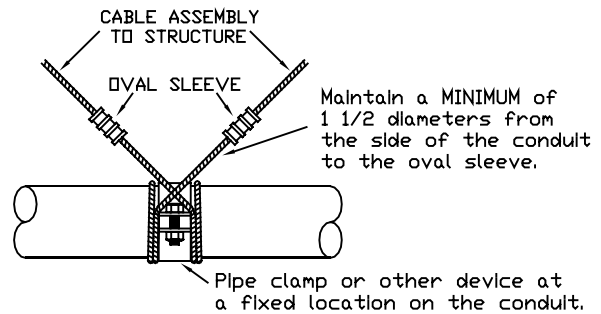


LISTED

Break Strength Certified-Color Coded-Prestretched
SEISMIC WIRE ROPE/CABLE™ BRACING

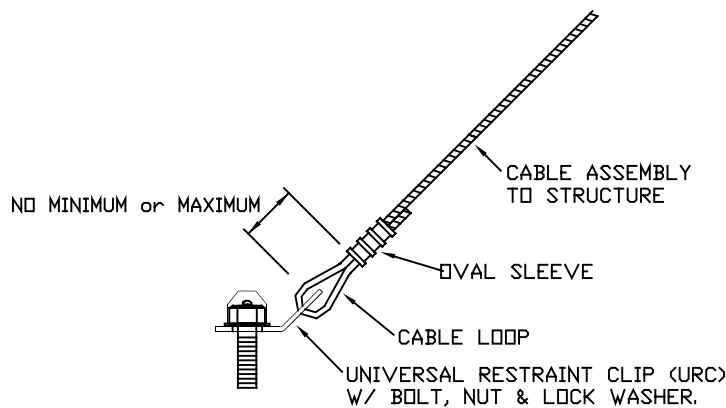


TRANSVERSE (LATERAL)



LONGITUDINAL OR 4-WAY

WRAPPED CONNECTIONS FOR SINGLE HANGER CONDUIT



CONNECTION TO EQUIPMENT & TRAPEZE SUPPORT MEMBERS

NOTE : REFER TO SPECIFICATIONS, LOOS & CO., INC. MANUAL AND TABLES FOR BRACE SPACING, REQUIRED BRACE LOCATIONS, LOAD CALCULATION PROCEDURES, SIZING, AND ALLOWABLE LOADS ON BRACE ASSEMBLIES AND FASTENERS.

TYPICAL CABLE CONNECTIONS TO BRACED COMPONENTS