

CABLEWARE® TECHNOLOGY DIVISION
 900 IND. BLVD., NAPLES, FL 34104
 TELEPHONE : 1-800-321-5667
 FAX : (941) 643-4558

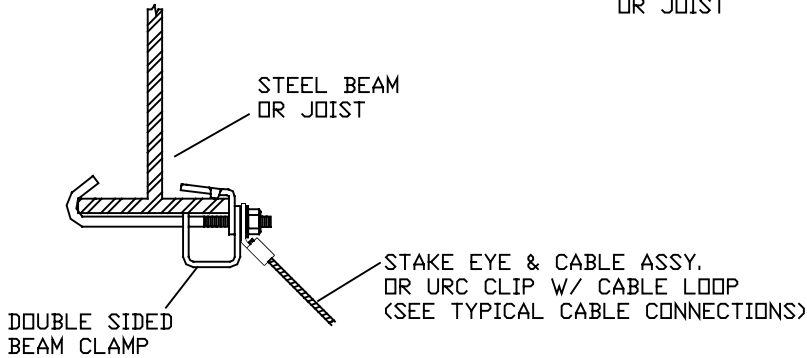
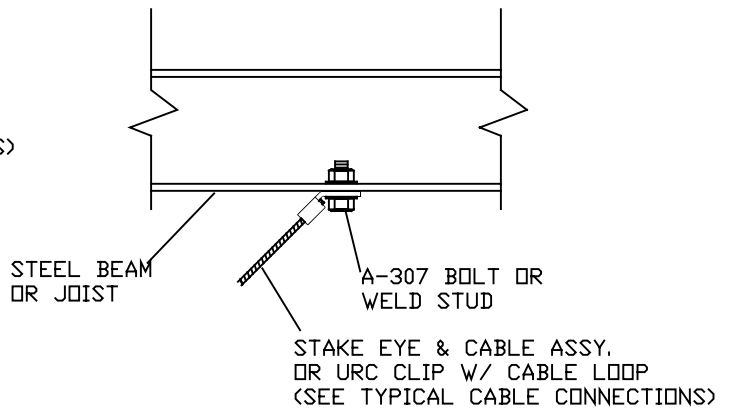
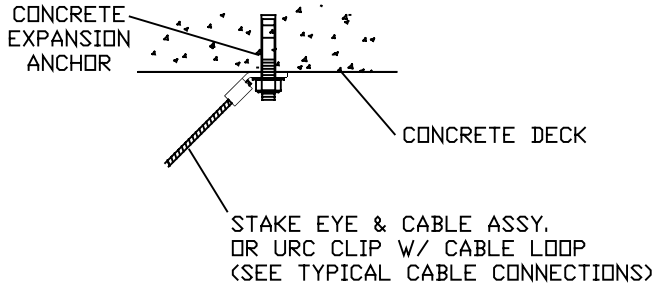
<http://www.constr.com/loosmenu.html>

CITY OF LOS ANGELES TESTED AND APPROVED FOR ALL MECHANICAL, PLUMBING & ELECTRICAL PIPING, CONDUIT, EQUIPMENT AND SYSTEMS-INCLUDING FIRE SPRINKLER.



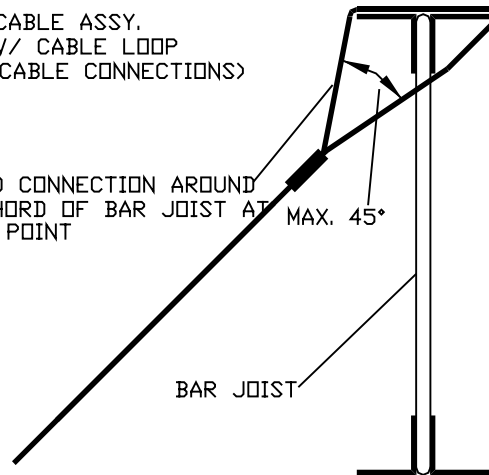
LISTED

Break Strength Certified-Color Coded-Prestretched
SEISMIC WIRE ROPE/CABLE™ BRACING



WHEN DRILLING OR WELDING IS NOT PERMITTED

LOOPED CONNECTION AROUND TOP CHORD OF BAR JOIST AT MAX. 45°
 PANEL POINT



NOTE : REFER TO SPECIFICATIONS, LOOS & CO., INC. MANUAL AND TABLES FOR BRACE SPACING, REQUIRED BRACE LOACTIONS, LOAD CALCULATION PROCEDURES, SIZING, AND ALLOWABLE LOADS ON BRACE ASSEMBLIES AND FASTENERS.

TYPICAL CABLE CONNECTIONS TO STRUCTURE