

UNIVERSAL RESTRAINT CLIP RETROFIT (URCR)

PATENT NUMBER 6,026,545

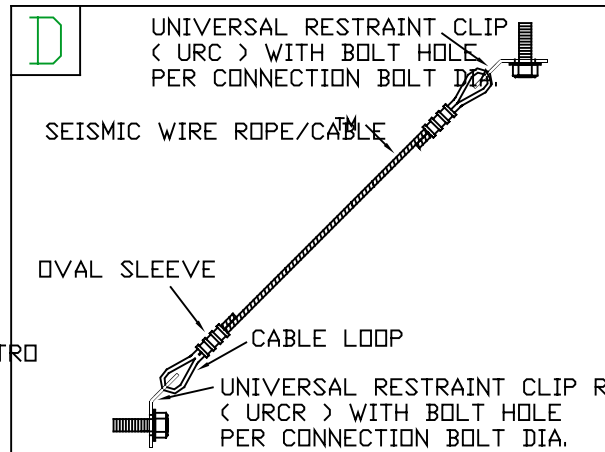
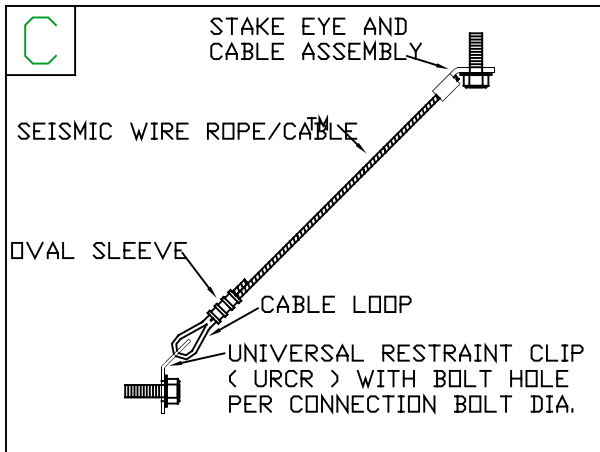
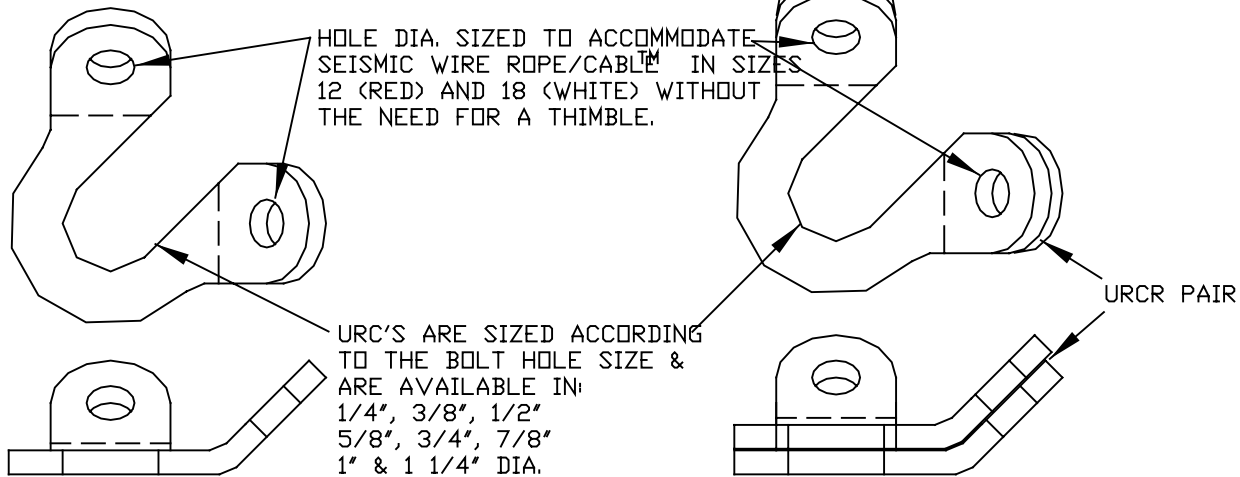
URCR'S ARE AVAILABLE IN AN ASSORTMENT OF BOLT HOLE SIZES.
 URCR'S CAN BE CONFIGURED TO ACCOMMODATE SIZE 12 (RED) OR 18 (WHITE) SEISMIC WIRE ROPE/CABLE.
 URCR'S MAINTAIN THE BREAK STRENGTH OF THE CABLE AND DO NOT REQUIRE A THIMBLE.
 URCR'S ARE INTENDED FOR USE IN MAKING CABLE CONNECTIONS TO EXISTING BRACED COMPONENTS.
 URCR'S MAY BE USED FOR EQUIPMENT CONNECTIONS WITH STAKE EYE & CABLE ASSEMBLIES.
 DOUBLE URCR'S ARE REQUIRED TO MAINTAIN CABLE BREAK STRENGTH FOR SIZE 12 (WHITE) CABLE.
 URCR'S MAY BE STACKED ON A HANGER ROD TO MAKE A 4-WAY BRACE CONNECTION.
 USE A URCR AT EACH END OF A CLEVIS HANGER CROSS BOLT TO MAKE 2-WAY OR 4-WAY CONNECTIONS.
 USE URCR'S AT EACH END OF TRAPEZE SUPPORTS TO MAKE 2-WAY & 4-WAY CONNECTIONS.
 STAKE EYE W/ CABLE AND URCR W/ CABLE ASSEMBLIES ARE EQUAL IN STRENGTH & PERFORMANCE.

SIZE 12 (RED)

(SINGLE URCR)

SIZE 18 (WHITE)

(DOUBLE URCR)



TYPICAL URCR (RETROFIT) CABLE ASSEMBLIES

These are two of the methods for making Seismic Wire Rope/Cable Assemblies. Type "C" uses a pre-cut cable with a factory installed Stake Eye at one end and a field installed URCR at the other. Pre-cut Stake Eye & Cable Assemblies are available in 3 ft. increments and are ideal when brace lengths can be reasonably predicted to be within this 3 ft. tolerance. Type "D" uses a field installed URC at one end and a URCR at the other end of the cable, which is usually cut from spools of Seismic Wire Rope/Cable. This method can be used when field fabrication of the cable assembly is preferred by the user. Both methods are comparable in cost. Type "C" requires slightly less field labor. Type "D" has a slightly lower material cost. Both methods maintain the break strength of the cable. Therefore, they are equal in strength and performance.

© LOOS & CO., INC. 2001



CABLEWARE® DIVISION
 901 IND. BLVD., NAPLES, FL 34104
 TELEPHONE : 1-800-321-5667
 FAX : (941) 643-4558