

CABLEWARE® TECHNOLOGY DIVISION  
 900 IND. BLVD., NAPLES, FL 34104  
 TELEPHONE : 1-800-321-5667  
 FAX : (941) 643-4558

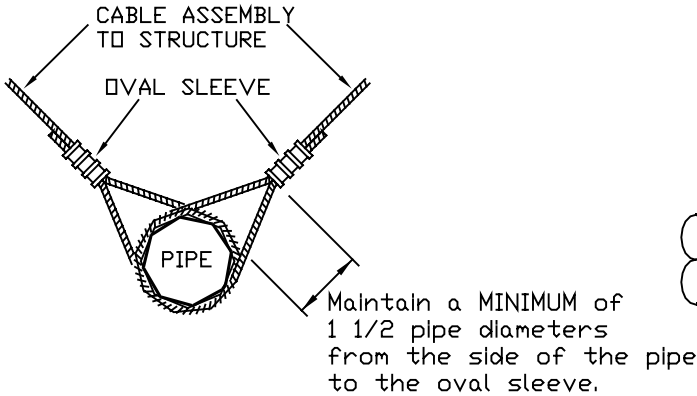
<http://www.constr.com/loosmenu.html>

CITY OF LOS ANGELES TESTED AND APPROVED FOR ALL MECHANICAL, PLUMBING & ELECTRICAL PIPING, CONDUIT, EQUIPMENT AND SYSTEMS-INCLUDING FIRE SPRINKLER.

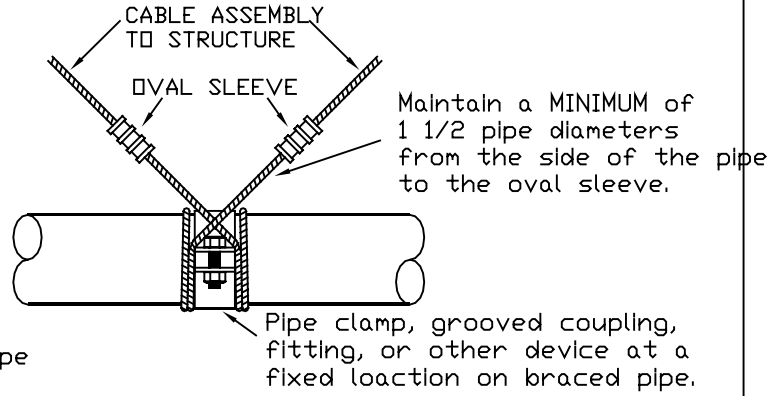


LISTED

Break Strength Certified-Color Coded-Prestretched  
**SEISMIC WIRE ROPE/CABLE™ BRACING**

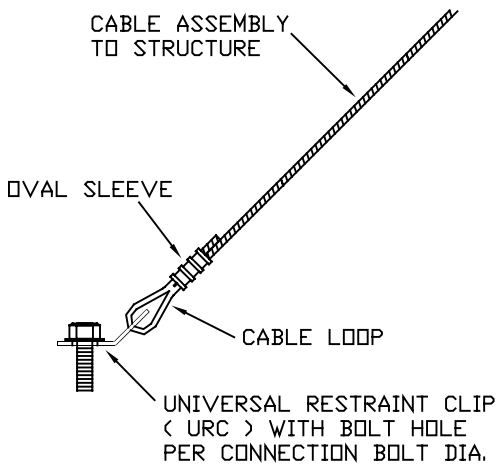


TRANSVERSE (LATERAL)

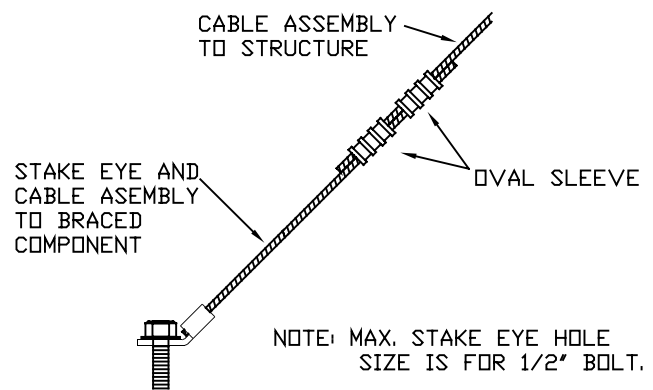


LONGITUDINAL

WRAPPED CONNECTIONS FOR PIPE or CONDUIT



CABLE & URC CONNECTION



DOUBLE STAKE EYE & CABLE CONNECTION

CONNECTIONS TO CLEVIS HANGERS OR SUPPORT MEMBERS

NOTE : REFER TO SPECIFICATIONS, LOOS & CO., INC. MANUAL AND TABLES FOR BRACE SPACING, REQUIRED BRACE LOCATIONS, LOAD CALCULATION PROCEDURES, SIZING, AND ALLOWABLE LOADS ON BRACE ASSEMBLIES AND FASTENERS.

TYPICAL CABLE CONNECTIONS TO BRACED COMPONENTS