

CABLEWARE® TECHNOLOGY DIVISION
 900 IND. BLVD., NAPLES, FL 34104
 TELEPHONE : 1-800-321-5667
 FAX : (941) 643-4558

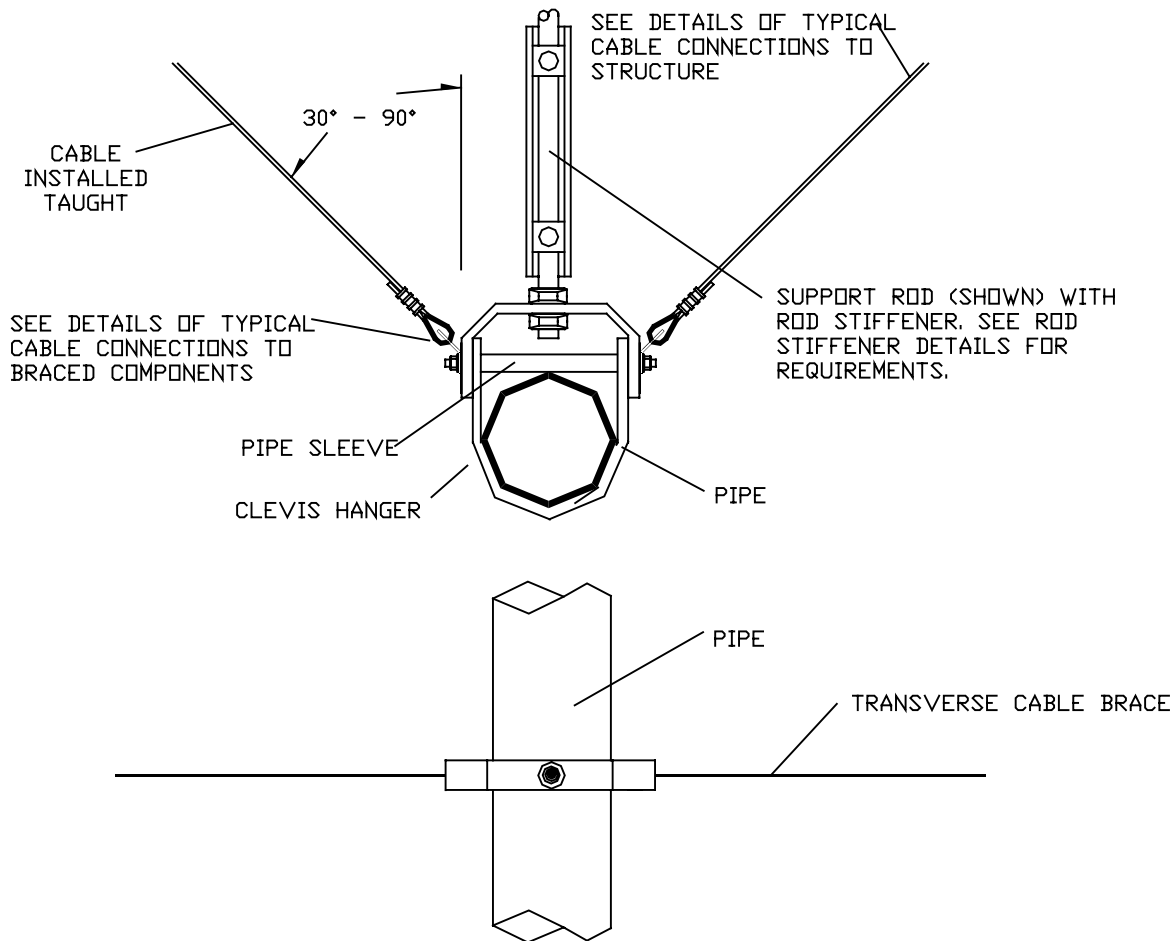
<http://www.constr.com/loosmenu.html>

CITY OF LOS ANGELES TESTED AND APPROVED FOR ALL MECHANICAL, PLUMBING & ELECTRICAL PIPING, CONDUIT, EQUIPMENT AND SYSTEMS-INCLUDING FIRE SPRINKLER.



LISTED

Break Strength Certified-Color Coded-Prestretched
SEISMIC WIRE ROPE/CABLE™ BRACING



PLAN VIEW OF BRACE

NOTE : REFER TO SPECIFICATIONS, LOOS & CO., INC. MANUAL AND TABLES FOR BRACE SPACING, REQUIRED BRACE LOACTIONS, LOAD CALCULATION PROCEDURES, SIZING, AND ALLOWABLE LOADS ON BRACE ASSEMBLIES AND FASTENERS.

**TRANSVERSE BRACE FOR
 INSULATED or UNINSULATED PIPE
 ON CLEVIS TYPE HANGERS**