

CABLEWARE® TECHNOLOGY DIVISION  
 901 IND. BLVD., NAPLES, FL 34104  
 TELEPHONE : 1-800-321-5667  
 FAX : (941) 643-4558

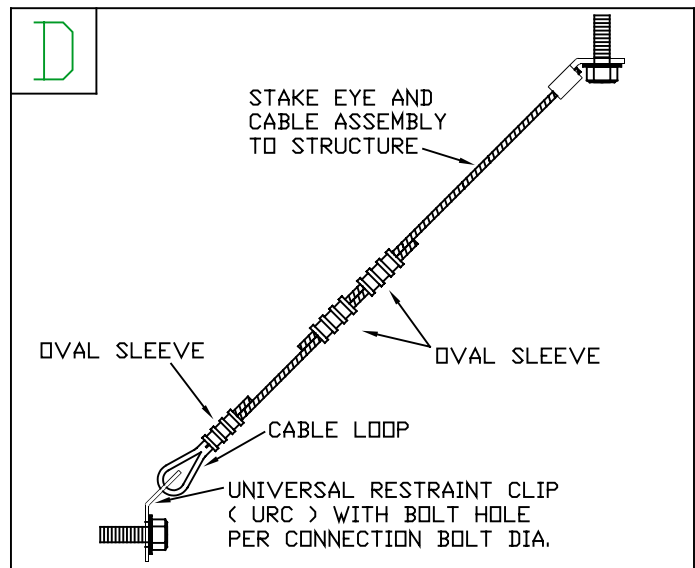
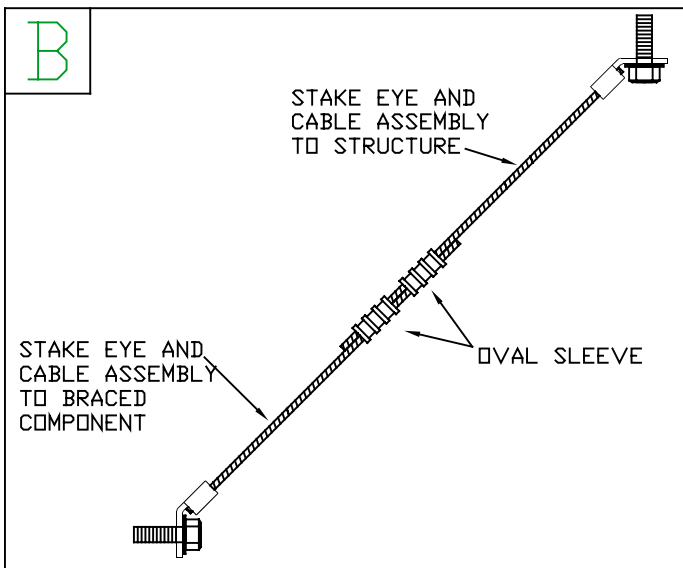
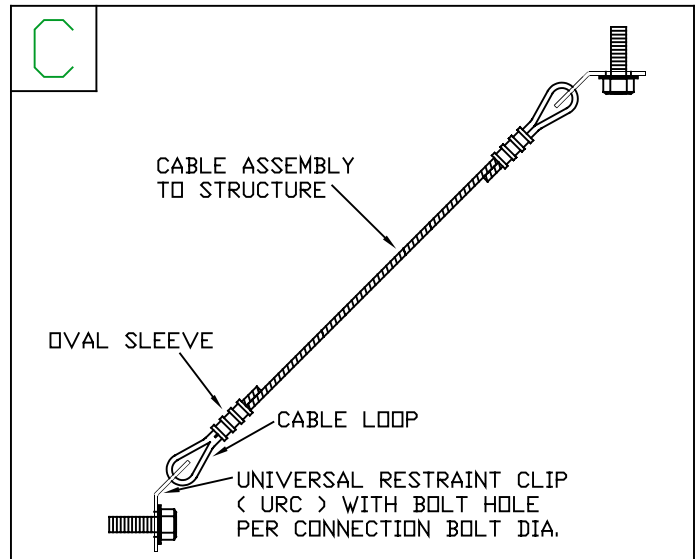
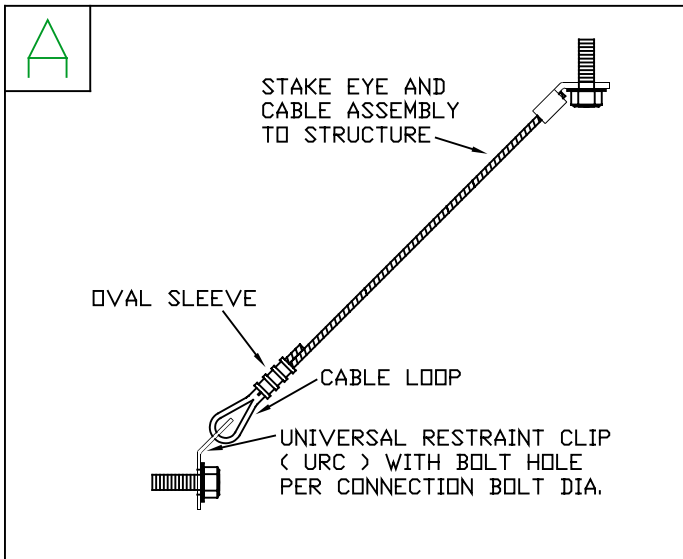
<http://www.earthquakebrace.com>

CITY OF LOS ANGELES TESTED AND APPROVED FOR ALL MECHANICAL, PLUMBING & ELECTRICAL PIPING, CONDUIT, EQUIPMENT AND SYSTEMS-INCLUDING FIRE SPRINKLER. R.R. No. 930335



LISTED

Break Strength Certified-Color Coded-Prestretched  
**SEISMIC WIRE ROPE/CABLE™ BRACING**



NOTE : REFER TO SPECIFICATIONS, LOOS & CO., INC. MANUAL AND TABLES FOR BRACE SPACING, REQUIRED BRACE LOCATIONS, LOAD CALCULATION PROCEDURES, SIZING, AND ALLOWABLE LOADS ON BRACE ASSEMBLIES AND FASTENERS.

**TYPICAL CABLE ASSEMBLIES FOR BRACED COMPONENTS**